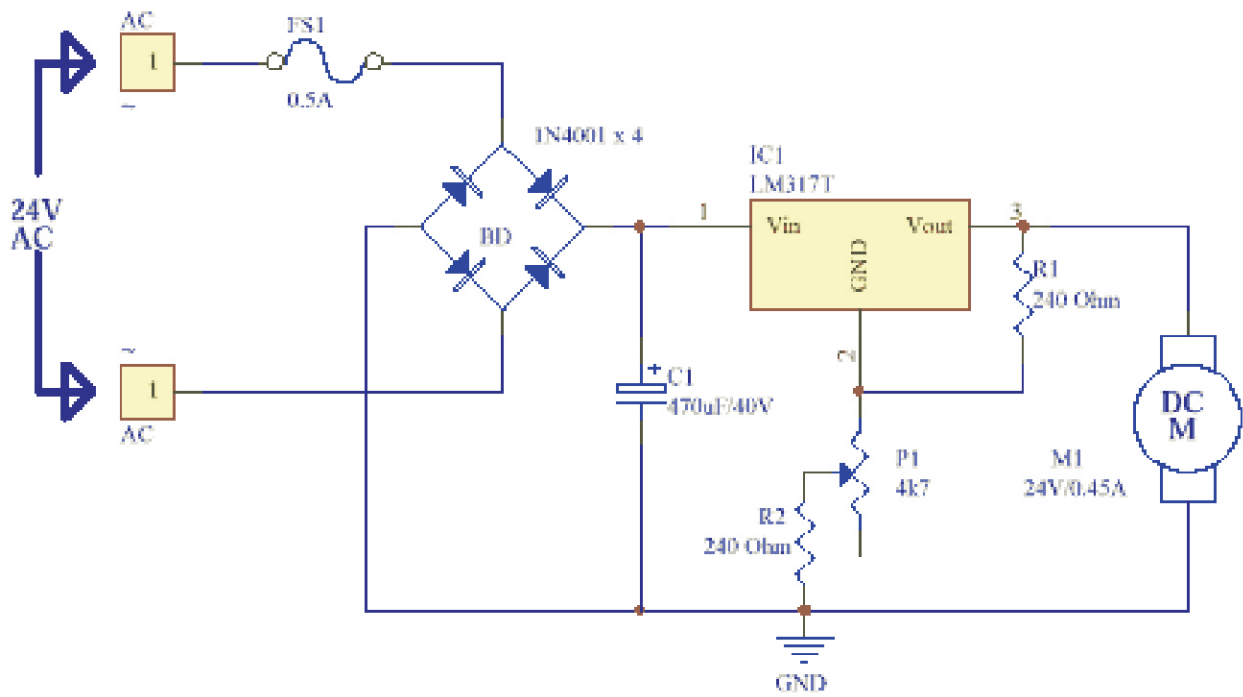


DC MOTOR SPEED CONTROLLER



A classic voltage regulator circuit using LM317 is shown above. Input voltage is fed to the pin3 (v in) of the IC and regulated output voltage is available from pin 2 (V out) of the IC. Resistor network comprising of R1 and R2 connected in association to the pin1 (adj) is used to set the output voltage. C1 is the input filter capacitor while C2 is the output filter capacitor. The output voltage of the regulator circuit depends on the equation, $V_{out} = 1.25V (1 + (R2/R1)) + I_{adj} R2$.